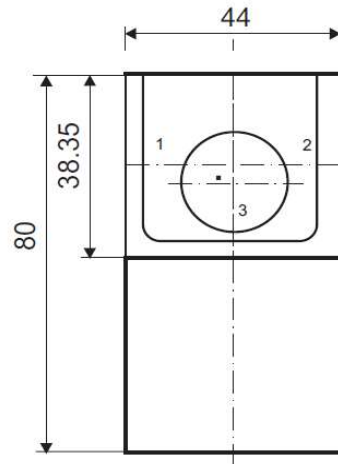
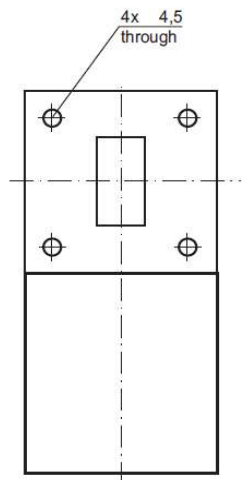


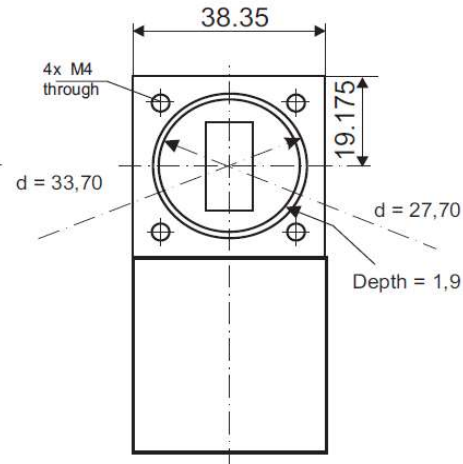
Waveguide Isolator

IW 14.125-60 W

Input



Output



Electrical Specifications

	Min	Max	Unit
Operating Frequency	13,75	14,5	GHz
Insertion Loss		0,25	dB
Isolation	20		dB
VSWR		1,22	
Forward Power		60	W
Reverse Power		50	W

Mechanical Specifications

Interface/ Connectors	WR 75/ PBR 120
Direction	CW
Weight	300 g
Housing Material	AlMgSi; Steel
Surface	Conversion Coating; Ni-coated

Environmental Specifications

Operating Temp. Range (°C)	-40	+85
----------------------------	-----	-----