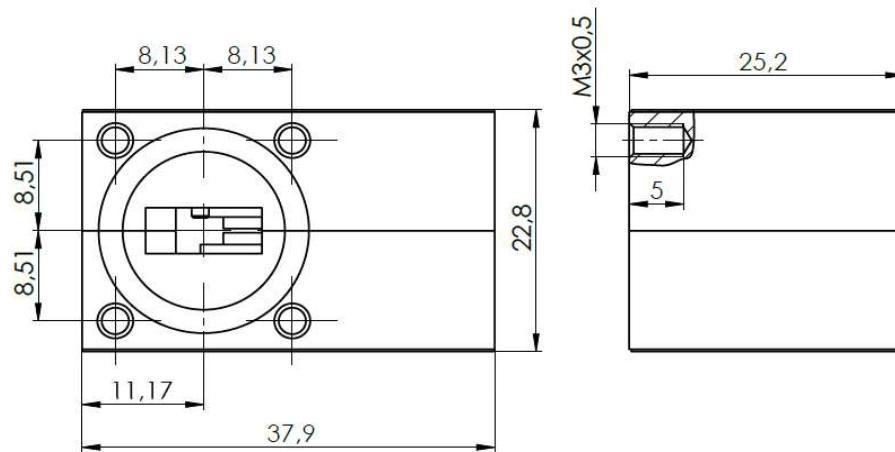


Waveguide Isolator IW 19.5



Electrical Specifications			
	Min	Max	Unit
Operating Frequency	17,7	21,2	GHz
Insertion Loss		0,3	dB
Isolation	20		dB
VSWR		1,2:1	
Forward Power		1	W
Reverse Power		1	W

Mechanical Specifications	
Interface/ Connectors	WR 42
Direction	CCW
Weight	60 g
Housing Material	AlMgSi; Steel
Surface	Conversion Coating; Ni-coated

Environmental Specifications		
Operating Temp. Range (° C)	0	+60