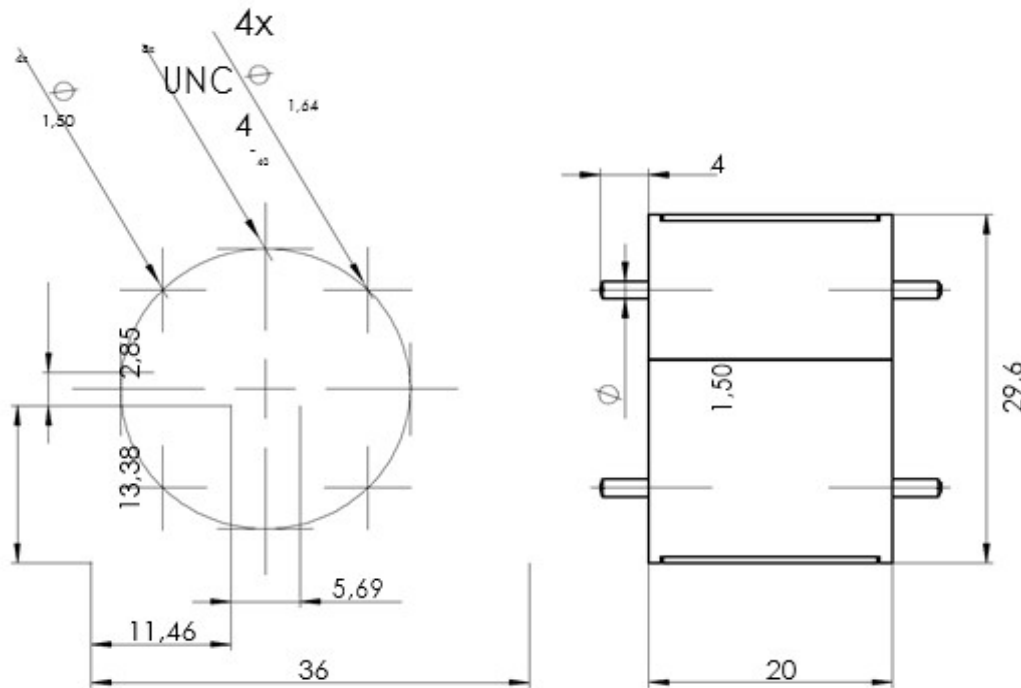


Waveguide Isolator

IW 40.0



Electrical Specifications			
	Min	Max	Unit
Operating Frequency	37,5	42,5	GHz
Insertion Loss		0,4	dB
Isolation	18		dB
VSWR		1,25	
Forward Power		2	W
Reverse Power		1	W

Mechanical Specifications		
Interface/ Connectors	WR 22/	UG-383/U
Direction	CW	
Weight	60 g	
Housing Material	AlMgSi; Steel	
Surface	Conversion Coating; Ni-coated	

Environmental Specifications		
Operating Temp. Range (° C)	0	+60