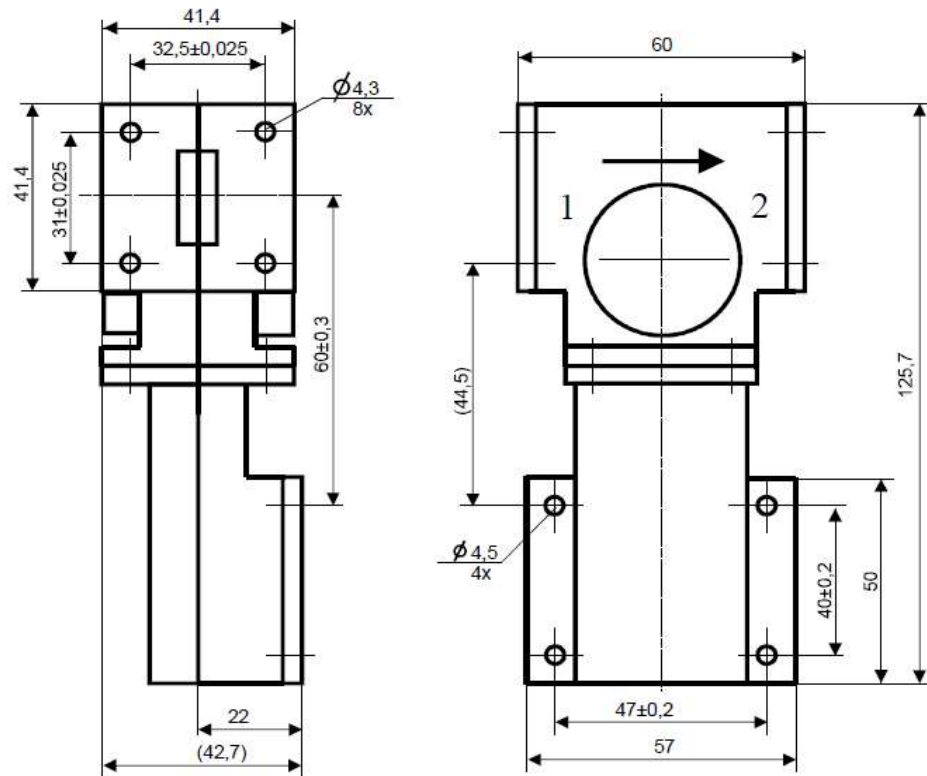


Waveguide Isolator

IW 9.4 60W



Electrical Specifications			
	Min	Max	Unit
Operating Frequency	9	9,6	GHz
Insertion Loss		0,2	dB
Isolation	20		dB
VSWR		1,2	
Forward Power		60	W
Reverse Power		60	W

Mechanical Specifications		
Interface/ Connectors	WR90	UBR 100
Direction	CW	
Weight	450 g	
Housing Material	AlMgSi; Steel	
Surface	Conversion Coating; Ni-coated	

Environmental Specifications		
Operating Temp. Range (° C)	-40	+85