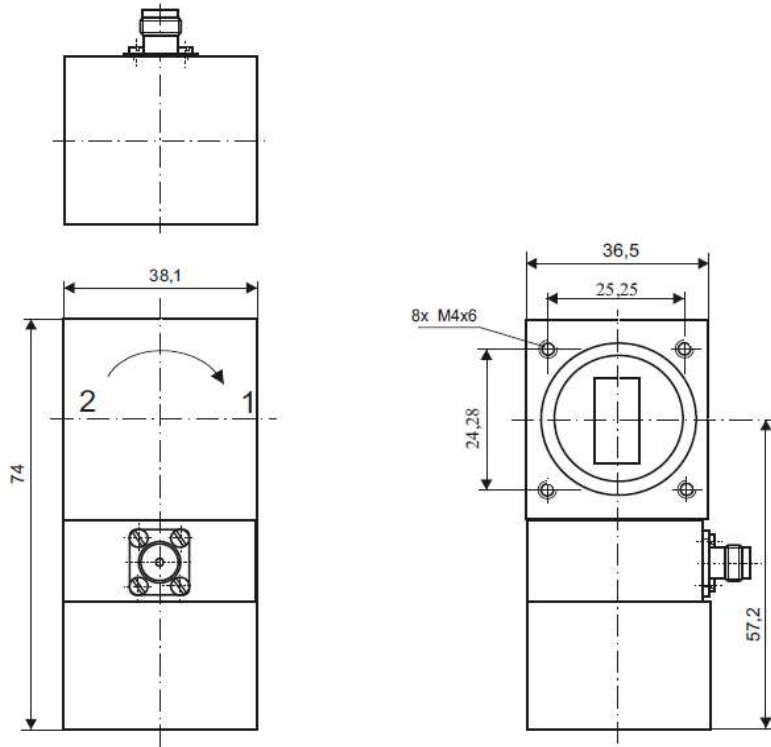


Waveguide Isolator

IWC 15.25-30 W



Electrical Specifications

	Min	Max	Unit
Operating Frequency	15,15	15,35	GHz
Insertion Loss		0,4	dB
Isolation	20		dB
VSWR		1,22:1	
Forward Power		30	W
Reverse Power		30	W

Mechanical Specifications

Interface/ Connectors	SMA -
Direction	CW
Weight	150 g
Housing Material	AlMgSi; Steel
Surface	Conversion Coating; Ni-coated

Environmental Specifications

Operating Temp. Range (° C)	-40	+85
-----------------------------	-----	-----